

# PERMANENT MAGNET MOTOR SPEED CONTROLLER

## MODEL 1211



### DESCRIPTION

The Curtis Model 1211 is a microprocessor based, full-bridge Permanent Magnet Motor Speed Controller.

### APPLICATION

Intended for small mobility aid scooters, the microprocessor based design of the Model 1211 offers enhanced performance, size, safety and cost over traditional scooter controllers.

### RATINGS

Battery Voltage:	24 VDC
Under Voltage Cutback:	16 VDC
Over Voltage Cutback:	32 VDC
Max. current:	30 and 45 Amps
Ambient Operating Temperature:	-25°C to 60°C
Ambient Storage Temperature:	-40°C to 75°C

### FEATURES

- The Model 1211 can be ordered pre-programmed or ordered with an optional programming port for use with the 1311 and 1314 programmers.
- The package design provides sealing against the elements in a compact size. IP rated at IP65.
- Rugged, full metal enclosure.
- Connecting harnesses are built into the controller to eliminate wiring at the base of the scooter and excess connectors.
- Microprocessor control provides enhanced safety functions and allows more flexibility in custom tuning of the application "ride and feel".
- Advanced closed-loop speed regulation helps maintain speed over varied terrain, obstacles, curbs, and ramps.
- Linear undervoltage cutback of current ensures smooth control, even with low batteries, with no abrupt loss of power.
- Optional speed limit potentiometer input provides direct and linear control over the maximum vehicle speed.
- Inhibit line prevents driving while charging.
- Key-Off deceleration function ensures a smooth "brake to stop" when the key is turned off.
- Anti roll-back/roll-forward function improves vehicle control on hills and ramps.
- Internal main contactor provides secure power-off.
- Fault detection and internal fault recording option (requires programmer).
- Optional Push-Switch input releases the brake and allows the motor to free-wheel.
- Push-Too-Fast software restricts vehicle top speed, even with the key off.
- FDA MAF on file.

### Meets or complies with relevant US and International Regulations

The Curtis Model 1211 motor speed controller is designed to meet:

- EN 12184
- EN 55022
- IEC 801
- FDA documentation filed
- TÜV Certified

# MODEL 1211

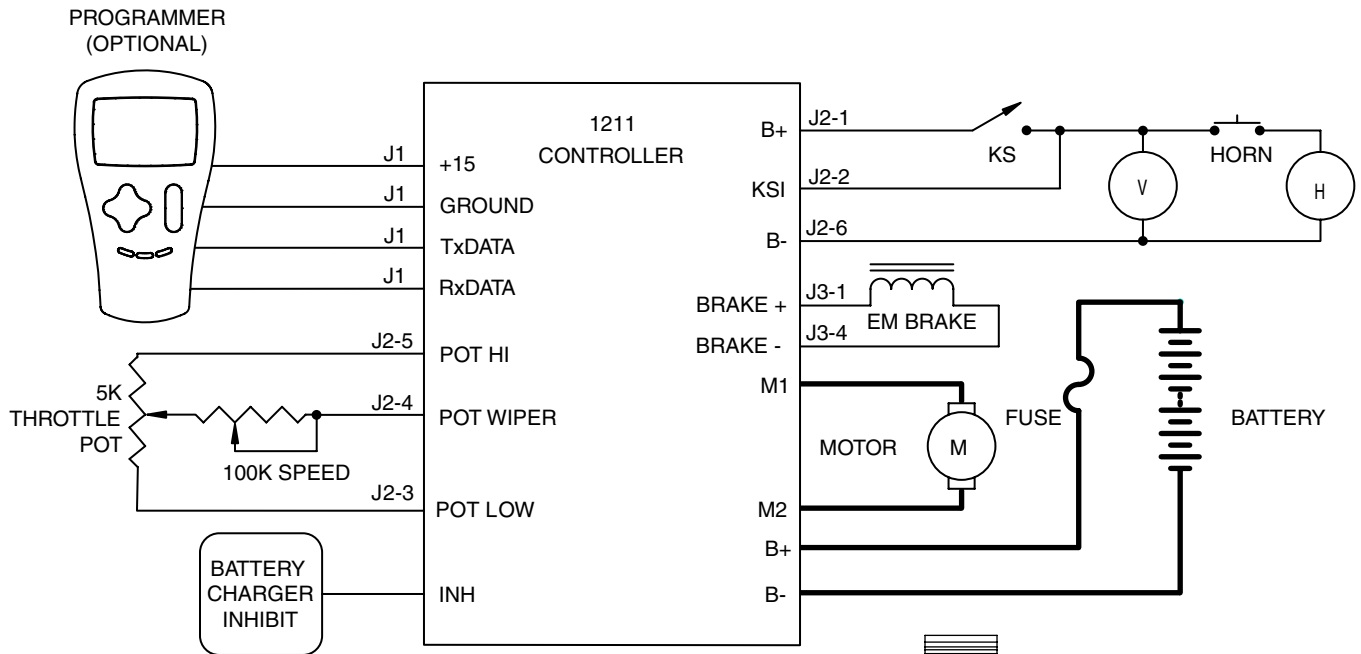
## MODEL CHART

**Model No.**                      **Voltage Rating**                      **Drive Current**

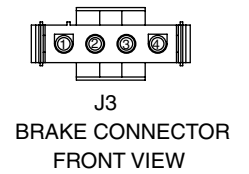
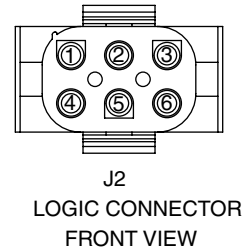
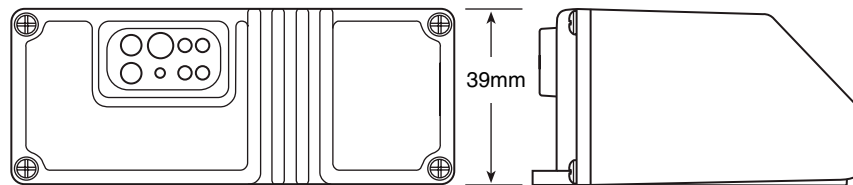
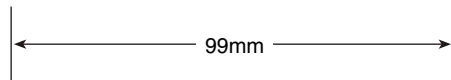
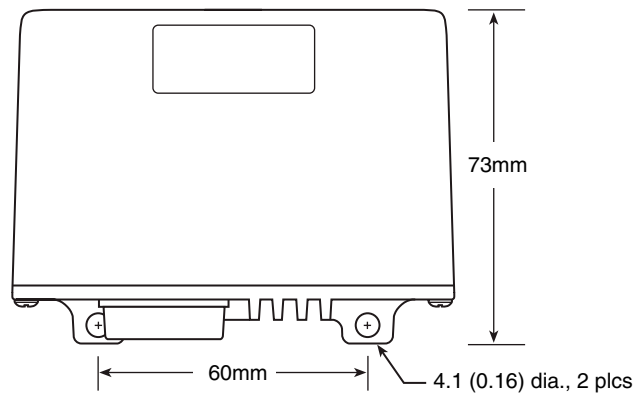
1211-22XX                      24 V                      30 A

1211-24XX                      24 V                      45 A

## TYPICAL WIRING DIAGRAM



## DIMENSIONS MM



**WARRANTY** Two year limited warranty from time of delivery.