

WINDOWS PC SOFTWARE TOOL FOR CURTIS PROGRAMMABLE DEVICES



CURTIS

MODEL 1314 – VERSION 4



DESCRIPTION

The 1314 Windows PC Software Tool provides comprehensive and intuitive PC based programming, monitoring and system diagnostics for all Curtis programmable motor speed controllers and control systems.

APPLICATION

The 1314 Windows PC Software Tool is intended for use by vehicle OEMs, dealers, and service engineers. It provides a powerful Windows interface for adjusting settings, troubleshooting, and recording the parameters of any Curtis speed controller or auxiliary device.

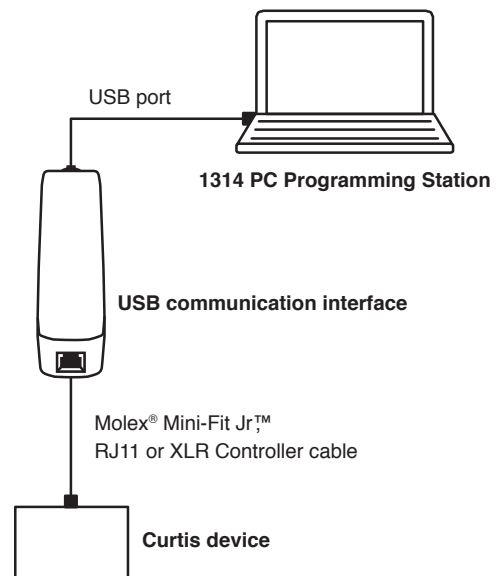
FEATURES

- View and adjust controller programmable parameters.
- Real-time monitoring of system variables such as voltage, temperature, and current.
- Saves all data – parameter values, monitor values, history logs etc., in a single file.
- Edit, rename, export or print files online or offline.
- Clone data between controllers.
- View active fault codes and system timers.
- View and clear controller fault history log.
- Online help and automatic update function (with active internet connection).

SYSTEM REQUIREMENTS

The minimum requirements for the PC Hardware are:

- Processor Pentium III 833MHz
- Windows® XP/Vista/7
- 512MB memory (1024 recommended)
- USB port



MODEL 1314 – VERSION 4

MODEL CHART

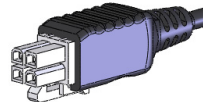
Model Number	Part Number	Description	Comments
1314K-4401	17748700	OEM	Kit includes CD-ROM, USB interface, Molex cable and RJ11 cable
1314K-3301	17748701	Dealer	Kit includes CD-ROM, USB interface, Molex cable and RJ11 cable
1314K-2201	17748702	Service	Kit includes CD-ROM, USB interface, Molex cable and RJ11 cable
1314K-1101	17748703	User	Kit includes CD-ROM, USB interface, Molex cable and RJ11 cable

Cable Options Part Number

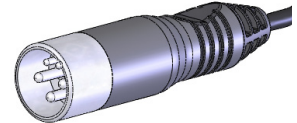
Cable RJ11	98955
Cable 4-Pin Molex	16185
Cable XLR	36378005



RJ11



4-Pin Molex



XLR

TYPICAL PROGRAMMING SCREENS

Parameter Editor

Name	Value	Unit
Program		
Multimode Functions		
M1 Forward Max Speed	1	rpm
M2 Forward Max Speed	1	rpm
M1 Reverse Max Speed	1	rpm
M2 Reverse Max Speed	1	rpm
Hydraulic Functions		
Lift Lockout Enable	On	
Lift Lockout BDI	20	%
Hydraulic Inhibit	On	
Lower Valve PWM	100	%
HourMeter Preset		
10s of Hours	0	
Remaining HRs in Mins	0	
Preset Total Hourmeter	Off	
Preset Traction Hourmeter	Off	
Preset Pump Hourmeter	Off	
Battery		
Reset Volts Per Cell	2.090	Volt
Full Volts Per Cell	2.040	Volt
Empty Volts Per Cell	1.730	Volt
Discharge Time	34	Minutes
BDI Reset Percent	75	%

CAN USB **S** Access Level: Dealer Ready.

Communication

Select interface: COM1 COM2

Select mode: On Off

Virtual Serial Port: COM3

OK Cancel

System Information (Online)

Model: 1314_6_0_0em
 Serial Number: 1775
 Protocol Version: 2
 Parameter Block Version: 0
 Model Number: 13142376
 Mfg Date Code: 908
 Hardware Version: 0.000
 CID Version: 12
 Build Number: 0
 SW Version: 2.60
 Param blk Version: 1.00
 VCL App Version: 0.00

Additional Information

System Type:

See Alarm, right motor:

See Alarm, left motor:

Monitor (Online)

Name	Value	Unit	Watch	Value	Unit
Inputs Throttle Command	0.0	%	Inputs Throttle Command	0.0	%
Inputs Mapped Throttle	0.0	%	Inputs Mapped Throttle	0.0	%
Inputs Throttle Pot	0.21	Volt	Inputs Throttle Pot	0.21	Volt
Inputs Brake Command	0.0	%	Inputs Brake Command	0.0	%
Inputs Mapped Brake	0.0	%			
Pot2 Raw	0.21	Volt			
FD Throttle	0.00	%			
Shaver Pot	0.00	Volt			
Steer Angle (deg)	0				
Interlock	Off				
Enter Rev	Off				
Analog 1	0.00	Volt			
Analog 2	1.32	Volt			
Switch 1	Off				
Switch 2	Off				
Switch 3	Off				
Switch 4	Off				
Switch 5	Off				
Switch 6	Off				
Switch 7	On				
Switch 8	Off				
Driver 1 Input	On				
Driver 2 Input	On				
Driver 3 Input	Off				
Driver 4 Input	Off				
FD Input	Off				
Diagnosis Input	Off				
Timeout2 Input	Off				

Logging Interval time: 500 Start

WARRANTY Two year limited warranty from time of delivery.

