



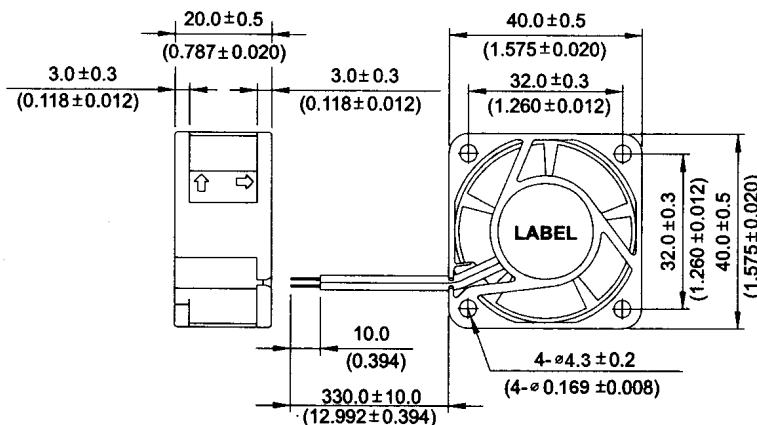
USTF4020 Series

Size: 1.58 in sq. x 0.79 in. thk
(40mm sq. x 20mm thk.)

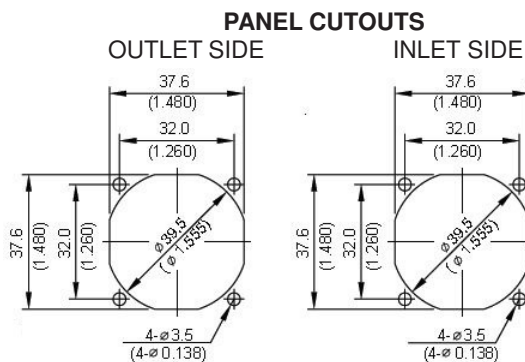
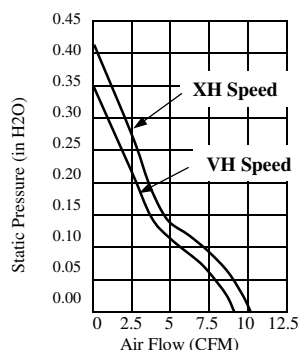
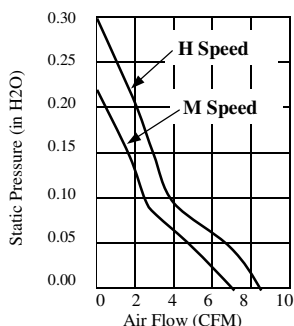
Airflow: 7.2 - 10.1 CFM

Acoustical Noise: 24 - 32.5 dB (A)

- MATERIAL:** Frame - Black PBT (UL 94V-0)
Bearings - Ball
Impeller - Black PBT (UL 94V-0)
- WEIGHT:** 1.16 oz. (33g)
- TERMINATION:** Lead Wires (UL 1007, AWG24 or equivalent)
- OPERATION TEMPERATURE:** -10° to +70° C
- INSULATION RESISTANCE:** 10 megohms min @ 500 VDC
- DIELECTRIC STRENGTH:** 500 VAC for 1 min.
- INSULATION:** Class A
- SAFETY:** Impedance & Polarity Protected
- SAFETY APPROVALS:** UL, CSA, & CE
- OPERATING VOLTAGE:** 5VDC (4.5 to 5.5)
12 VDC (7 to 13.8)
24 VDC (14 to 27.6)



PERFORMANCE CURVES: (Obtained with test chamber and methods in accordance with AMCA Std. 210-74)



SPECIFICATIONS: (All values are typical)

PART NUMBER	VOLTS	WATTS	AMPS	RPM	NOISE dB (A) @ 1M	CFM
USTF402005XHW	5VDC	1.60	0.32	9000	32.5	10.1
USTF402005VHW	5VDC	1.50	0.30	8200	30.5	9.4
USTF402005HW	5VDC	1.25	0.25	7600	28.5	8.6
USTF402005MW	5VDC	0.75	0.15	6300	24.0	7.2
USTF402012XHW	12VDC	1.44	0.12	9000	32.5	10.1
USTF402012VHW	12VDC	1.20	0.10	8200	30.5	9.4
USTF402012HW	12VDC	0.96	0.08	7600	28.5	8.6
USTF402012MW	12VDC	0.72	0.06	6300	24.0	7.2
USTF402024XHW	24VDC	2.16	0.09	9000	32.5	10.1
USTF402024VHW	24VDC	1.68	0.07	8200	30.5	9.4
USTF402024HW	24VDC	1.44	0.06	7600	28.5	8.6
USTF402024MW	24VDC	1.20	0.05	6300	24.0	7.2

MODELS AVAILABLE ON REQUEST:

Failure Detector - rotation sensing - Add Suffix "SR" to part number
Speed Controller - tach output - Add Suffix "SF" to part number